

## HA 260 PX



- Continuous outreach control
- +70 / -70° fly jib.
- 507 lb (230 kg) platform capacity.
- Standard 4 wheel drive and 4 wheel steer.
- 17 in (42 cm) ground clearance.
- 40% gradeability.



## The Haulotte® advantages

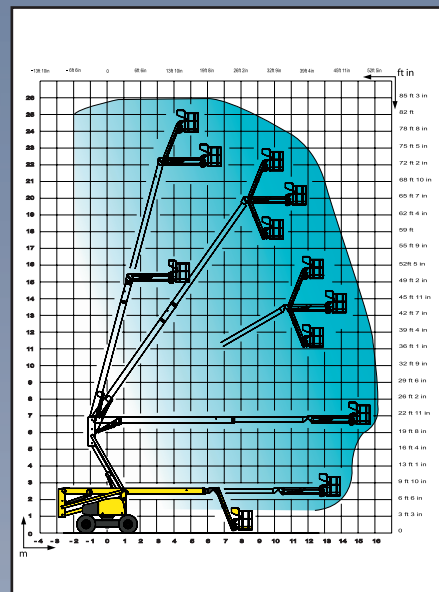
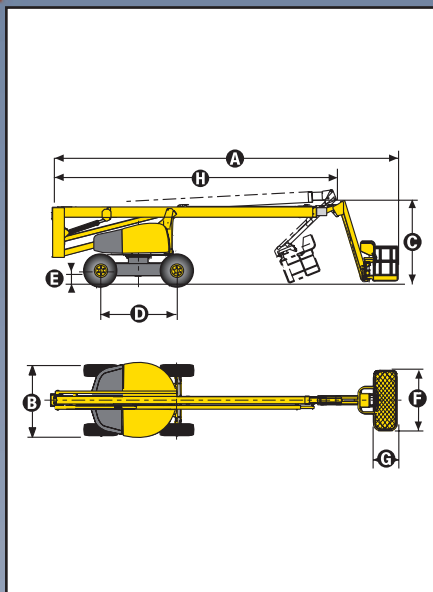
- Improved working area via a positive / negative articulating fly jib with 140° movement
- Hydraulic differential lock and 17 in (42 cm) ground clearance for improved rough terrain capability
- Continuous 360° turntable rotation
- Zero tailswing
- 180° hydraulic platform rotation
- Compact travel / transport dimensions
- Full proportional controls and simultaneous boom functions improve productivity
- 2.8 mph (4.5 km/h) travel speed
- Robust, reliable and easy to maintain design
- Improved security due to load limiter in the basket

## STANDARD FEATURES

- 4 wheel drive and 4 wheel steer
- Load limiter in platform
- 220 V / 16 A power line to platform
- 5° tilt alarm
- Deutz air cooled diesel engine
- 12 V proportional controls at platform
- Battery electric emergency lowering system
- Free wheeling device
- Hourmeter
- Slewing block pin
- Towing hooks / lifting eyes
- 2 hooks for safety harness in platform

## OPTIONS & ACCESSORIES

- Rotating beacon
- Flashing light
- Travel alarm
- Catalytic exhaust
- Hostile environment kit
- 2.44 m X 0.8 m / 8 ft x 2 ft 7 in large platform
- Sand tyres / Road tyres
- On-board 3,3 kW generator
- Encoded starting device
- Working light
- Hot countries kit / Cold countries kit



## SPECIFICATIONS

Working height	25.6 m	84 ft 0 in
Platform height	23.6 m	77 ft 5 in
Horizontal outreach	16.2 m	53 ft 2 in
Up & over clearance	6.8 m	22 ft 4 in
Platform capacity	230 kg	507 lb
Fly jib range of motion	140° (+70°/-70°)	
<b>A</b> Stowed length	12 m	39 ft 4 in
<b>B</b> Width	2.38 m	7 ft 10 in
<b>C</b> Stowed height	2.67 m	8 ft 9 in
<b>D</b> Wheelbase	2.8 m	9 ft 2 in
<b>E</b> Ground clearance	42 cm	17 in
<b>F</b> x <b>G</b> Platform size	1.8 m x 0.8 m	71 in x 31 in
<b>H</b> Travel/transport length	9.50 m	31 ft 2 in
Tailswing	1.07 m	3 ft 6 in
Drive speed	0.45 - 4.5 km/h	0.28 - 2.8 mph
Outside turning radius	3.9 m	12 ft 10 in
Turntable rotation (continuous)	360°	
Hydraulic platform rotation	180°	
Gradeability	40%	
Engine	Diesel Deutz F4 L 2011 - 57 hp - 42 kW	
Tyres (foam filled)	15 R 22	
Hydraulic tank	150 l	40 gal
Fuel tank	150 l	40 gal
Weight	15.950 kg	35.170 lb

AS 1418.10

